

Rebel Series Sanders Back-up Pad Mounting

Models:
53270, 53271,
53272, 53273

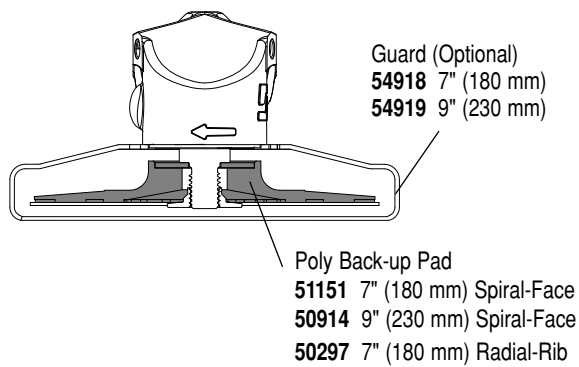
Diagrams are provided to show proper mounting of various types & sized abrasives.

Note: When back-up pad is beyond the "lip" of guard, use 54920 or 54921 High Profile Guard.

STANDARD MODELS 53270 & 53272

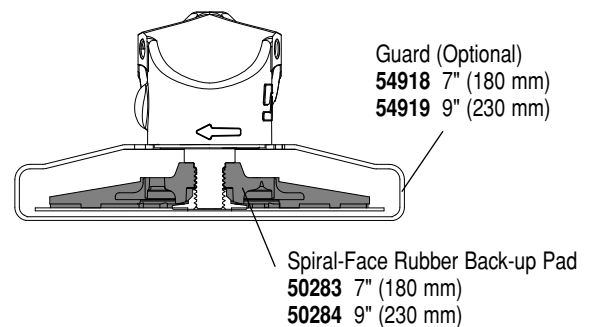
POLY

5/8"-11 Thread



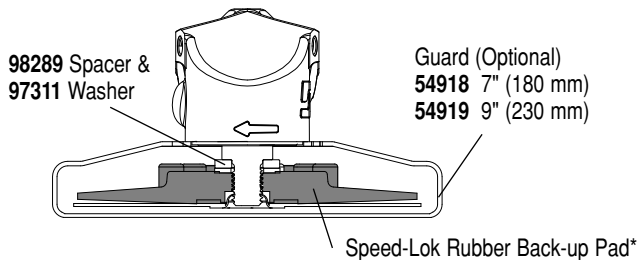
SPIRAL-FACE RUBBER

5/8"-11 Thread



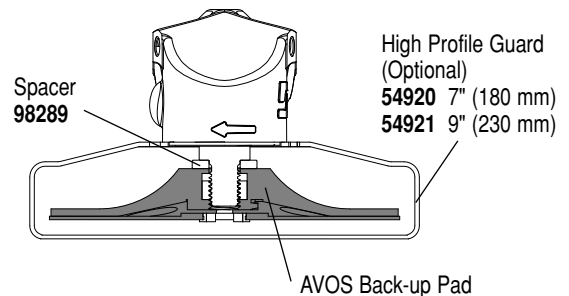
NORTON – SPEED-LOK RUBBER

5/8"-11 Thread



NORTON – AVOS

5/8"-11 Thread



*Use multiple washers included with pad if 98289 Spacer & 97311 Washer are unavailable.

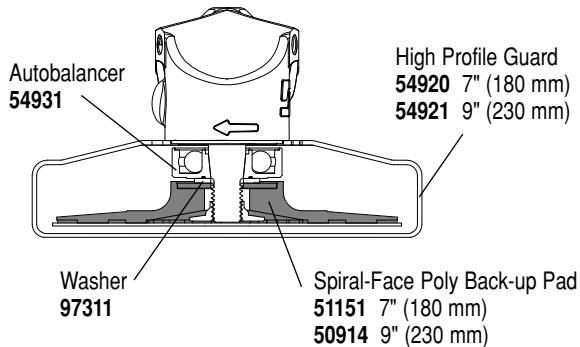
Additional diagrams on opposite side.

Diagrams are provided to show proper mounting of various types & sized abrasives.
 Note: When back-up pad is beyond the "lip" of guard, use 54920 or 54921 High Profile Guard.

AUTOBALANCER MODELS 53271 & 53273

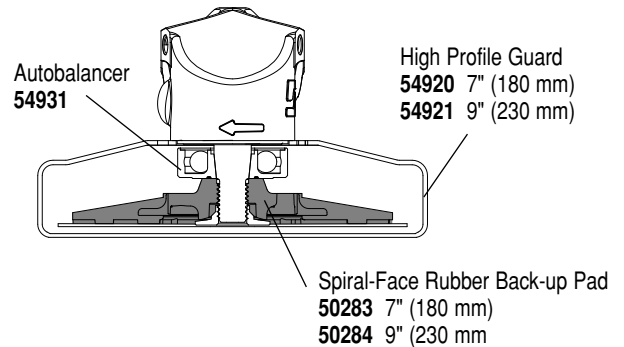
SPIRAL-FACE POLY

5/8"-11 Thread



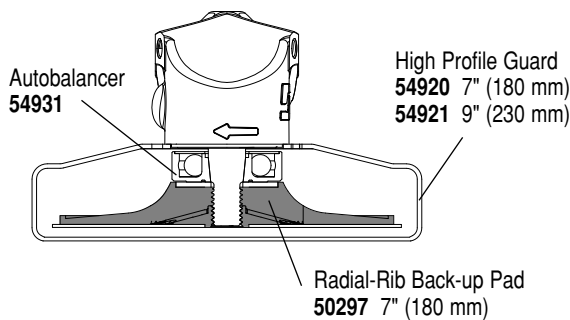
SPIRAL-FACE RUBBER

5/8"-11 Thread



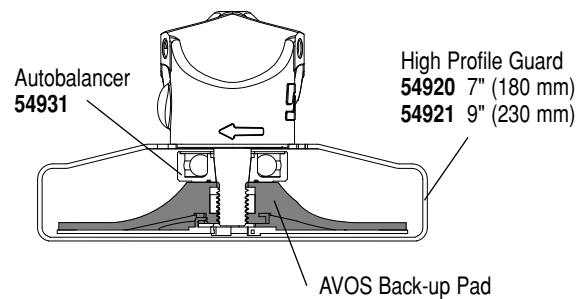
RADIAL-RIB POLY

5/8"-11 Thread



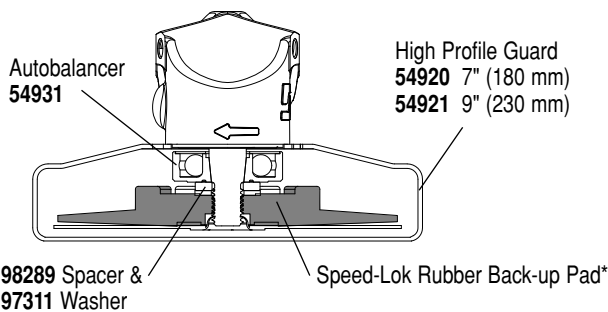
NORTON – AVOS

5/8"-11 Thread



NORTON – SPEED-LOK RUBBER

5/8"-11 Thread



*Use multiple washers included with pad if 98289 Spacer & 97311 Washer are unavailable.

Visit our Web Site: www.dynabrade.com

Email: Customer.Service@Dynabrade.com

