

95600 Tune-Up Kit

For Use With All:

.5Hp/Straight-Line/Front Exhaust Models

Air Motor and Machine Parts

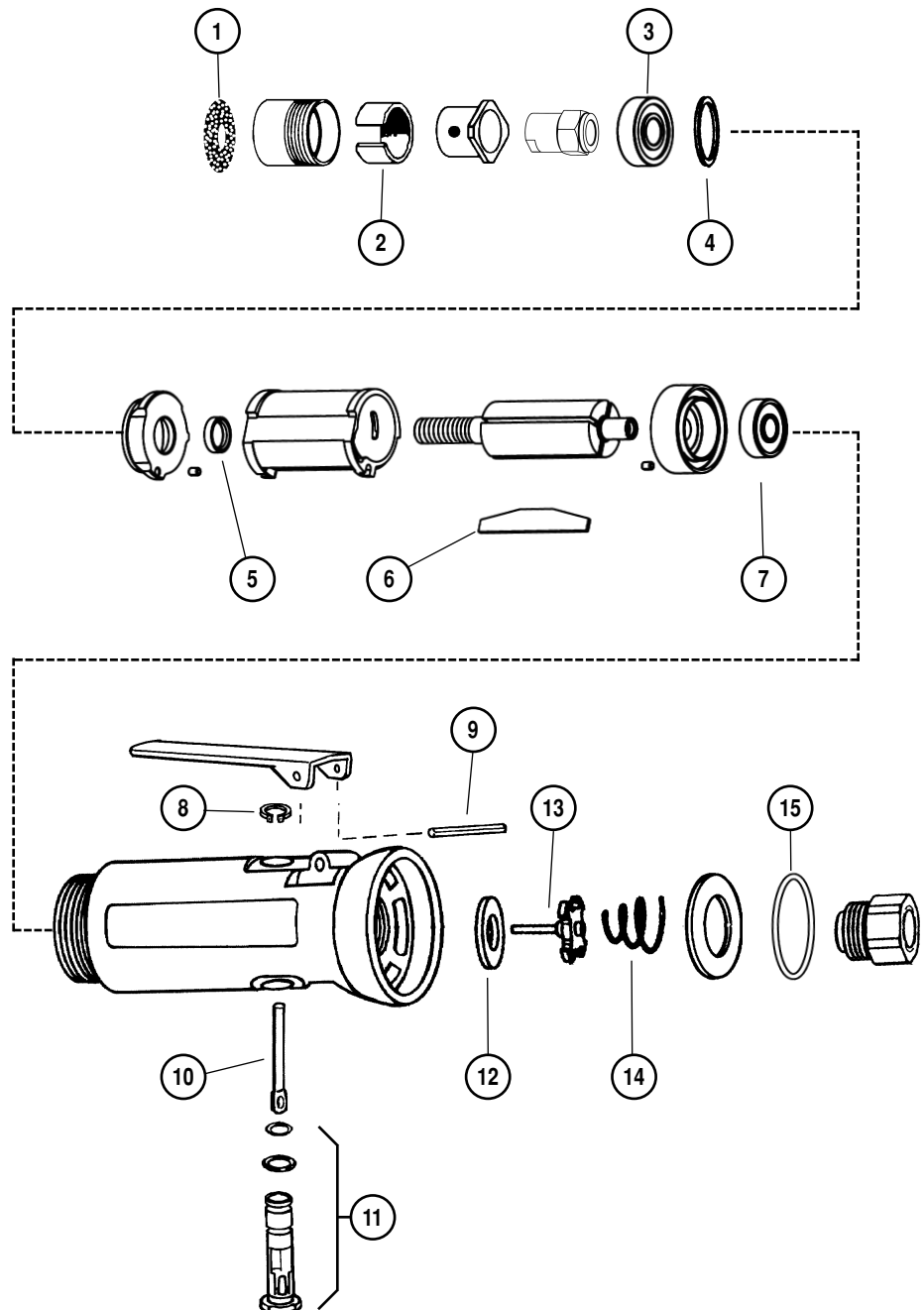
Parts included in Tune-Up Kit are identified by part number. Not all parts are required for all models. Please refer to appropriate parts page for additional identification and assembly /disassembly instructions.

Index Key

No.	Part #	Description
1	10295	Screen
2	04078	Felt Silencer
3	01007	Bearing
4	01121	Shim Pack (3/pkg.)
5	01010	Rotor Spacer
6	01011	Blade (4) (4/pkg.)
7	01015	Bearing
8	95558	Retaining Ring
9	01017	Pin
10	01477	Valve Stem
11	01247	Speed Regulator Assembly
12	01464	Seal
13	01472	Tip Valve
14	01438	Spring
15	96065	O-Ring

Note: Tune-Up Kit Includes the following parts for earlier Vintage Tools.

- 01020 – O-Ring
- 01022 – Spring
- 01024 – O-Ring
- 01025 – O-Ring



Visit our Web Site: www.dynabrade.com

Email: Customer.Service@Dynabrade.com



DYNABRADE, INC., 8989 Sheridan Drive • Clarence, NY 14031-1490 • Phone: (716) 631-0100 • Fax: 716-631-2073 • International Fax: 716-631-2524
DYNABRADE EUROPE S.à.r.l., Zone Artisanale • L-5485 Wormeldange—Haut, Luxembourg • Telephone: 352 76 84 94 1 • Fax: 352 76 84 95 1

©DYNABRADE, INC., 2001

PRINTED IN USA