

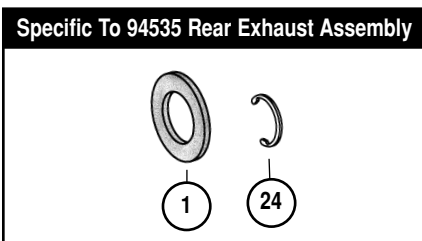
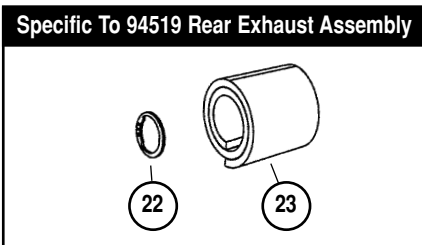
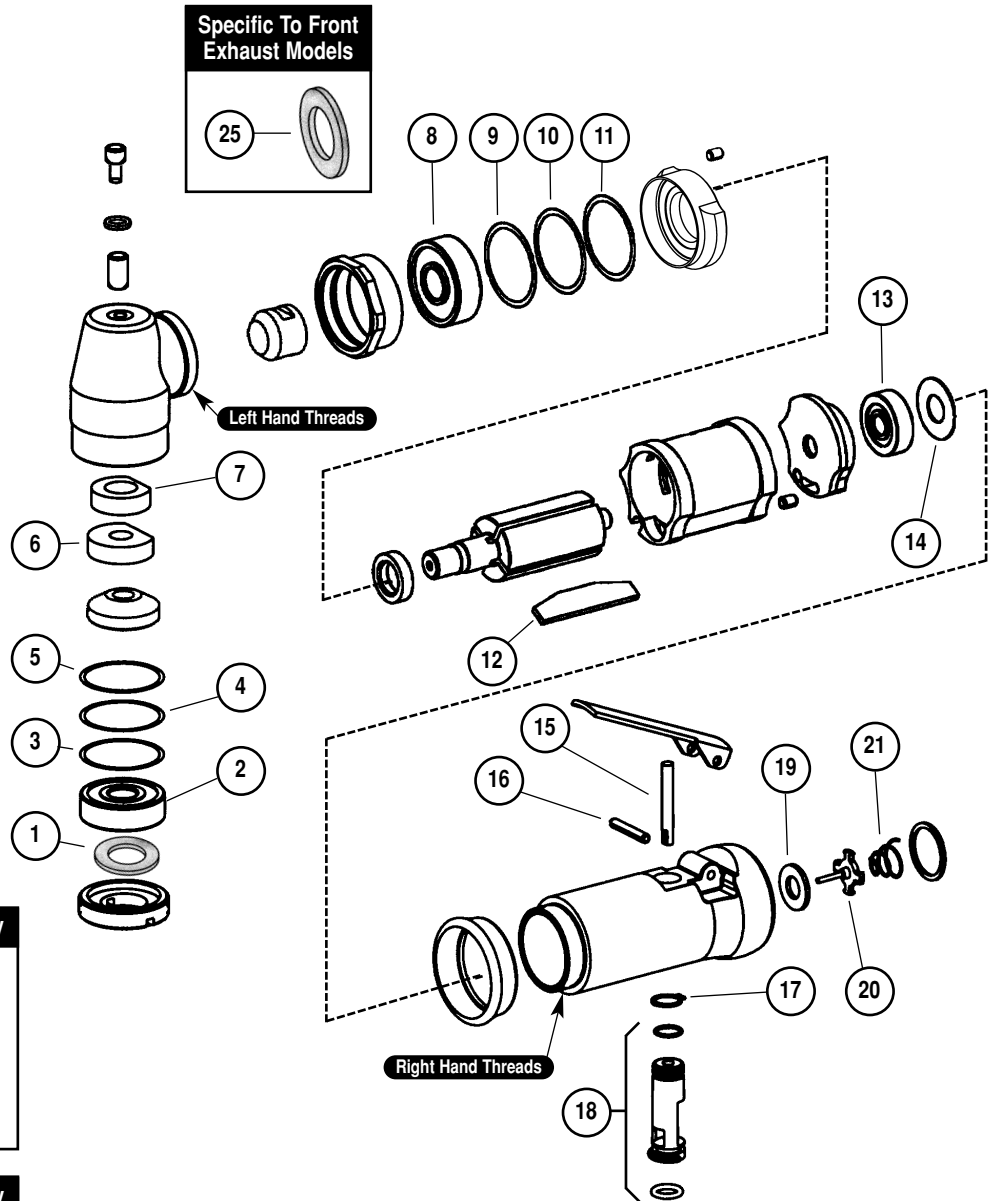
96179 Tune-Up Kit

**For Use With All:
 .4 hp, Right-Angle Models**

Air Motor and Machine Parts

Parts included in tune-up kit are identified by part number. Not all parts are required for all models. Please refer to appropriate parts page for additional identification and disassembly/assembly instructions.

Index Key		
No.	Part #	Description
1	01486	Felt Silencer (Qty 5)
2	54520	Bearing
3	97116	Shim
4	97117	Shim
5	97118	Shim
Bottom Wick		
6	02042	Wick - 12,000 RPM
	02044	Wick - 15 & 12,000 RPM
Top Wick		
7	02043	Wick - 12,000 RPM
	02045	Wick - 15 & 12,000 RPM
8	02697	Bearing
9	54543	Shim
10	54544	Shim
11	54551	Shim
12	01480	Blade (4/pkg.)
13	02696	Bearing
14	02679	Shield
15	01449	Valve Stem
16	12132	Pin
17	95558	Retaining Ring
18	01469	Speed Regulator Assy.
19	01464	Seal
20	01472	Tip Valve
21	01468	Spring
22	95711	Retaining Ring
23	94528	Felt Muffler
24	95620	Crescent Ring
25	01728	Felt Silencer



Visit our Web Site: www.dynabrade.com

Email: Customer.Service@Dynabrade.com

