

96531 Tune-Up Kit

**For Use With All:
Two-Hand: Dynaline/Buffers/Sanders**

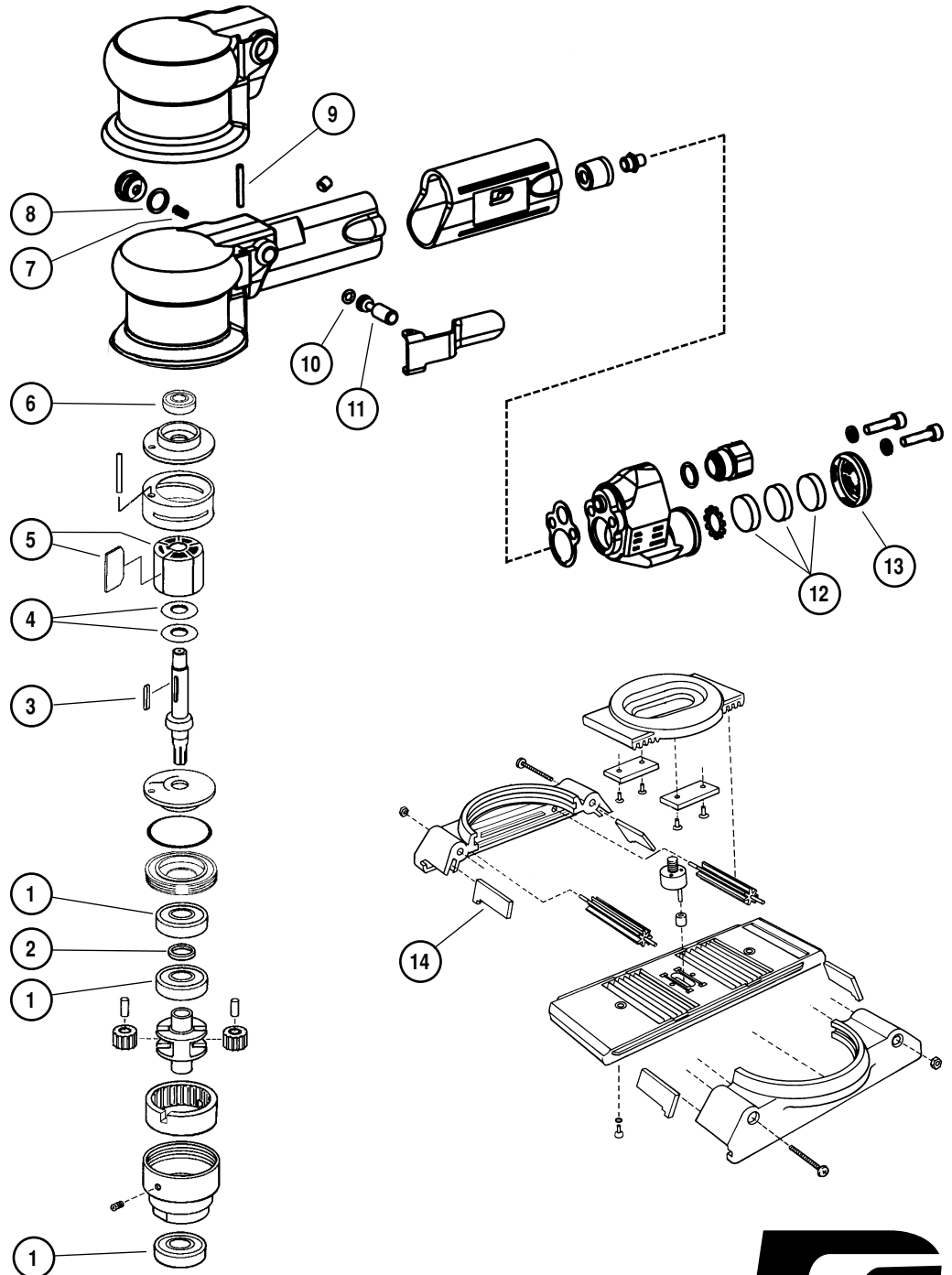
Air Motor and Machine Parts

Parts included in tune-up kit are identified by part number. Not all parts are required for all models.
Please refer to appropriate parts page for additional identification and disassembly/assembly instructions.

Index Key

No. Part # Description

- | | | |
|----|-------|---------------------|
| 1 | 01139 | Bearing |
| 2 | 07146 | Packing |
| 3 | 56047 | Rotor Key |
| 4 | 95975 | Shim Pack (3/pkg.) |
| 5 | 57113 | Rotor Blade Set (5) |
| 6 | 01206 | Bearing |
| 7 | 54192 | Spring |
| 8 | 95523 | O-Ring |
| 9 | 01017 | Pin |
| 10 | 01020 | O-Ring |
| 11 | 56029 | Valve Stem |
| 12 | 54195 | Muffler (3) |
| 13 | 54194 | Muffler Cap |
| 14 | 57429 | Felt Seal (4) |



Visit our web site: www.dynabrade.com

Email: Customer.Service@Dynabrade.com



DYNABRADE, INC., 8989 Sheridan Drive • Clarence, NY 14031-1490 • Phone: (716) 631-0100 • Fax: 716-631-2073 • International Fax: 716-631-2524
DYNABRADE EUROPE S.à.r.l., Zone Artisanale • L-5485 Wormeldange—Haut, Luxembourg • Telephone: 352 76 84 94 1 • Fax: 352 76 84 95 1

© DYNABRADE, INC., 2001

PRINTED IN USA