

# Tune-Up Kit - 96541

PD15.17  
October, 2015  
Supersedes PD12.07

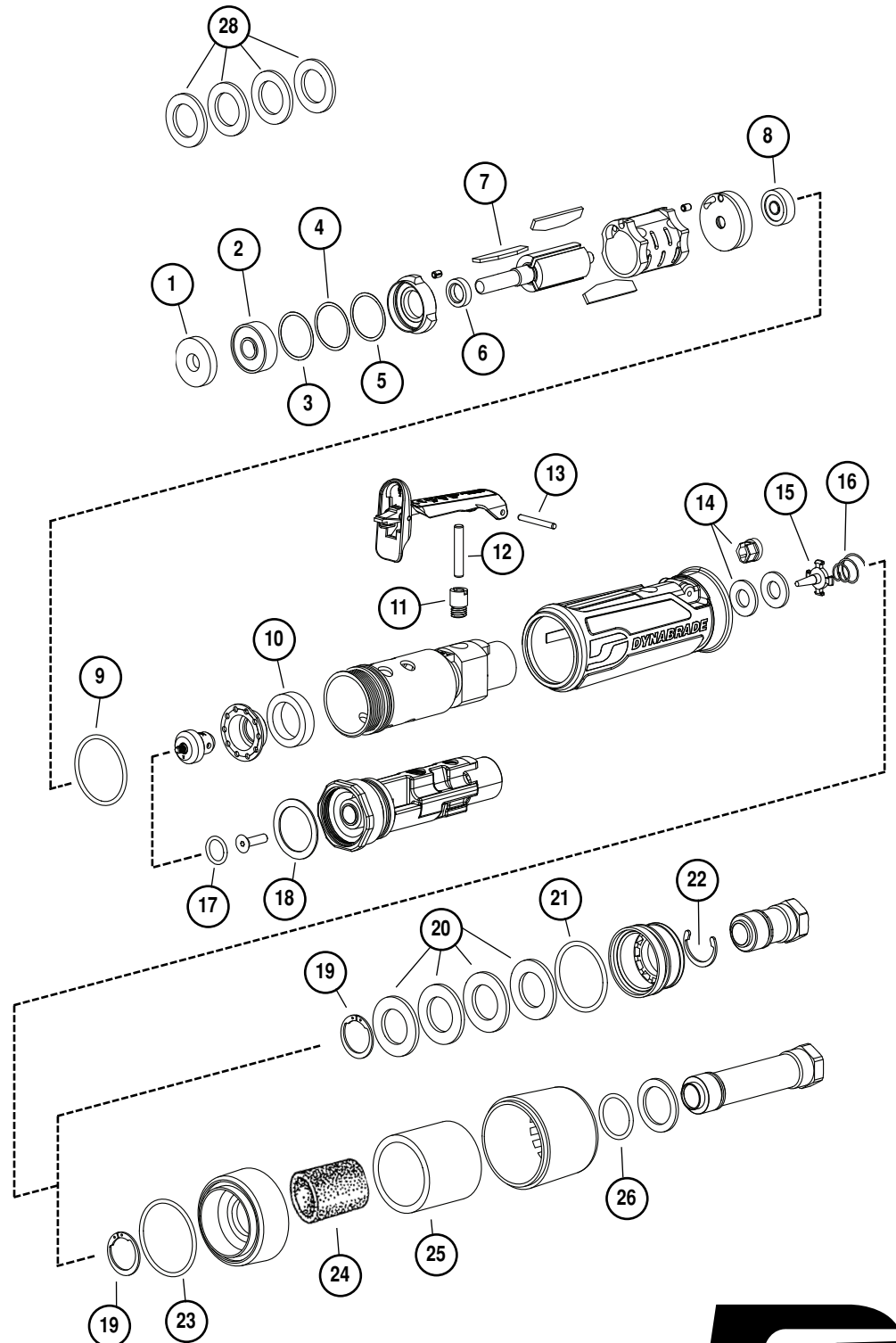
## .4 hp Motor Tools: Straight-Line / Right Angle / 7° Offset

Air Motor and Machine Parts

**NOTICE** Parts included in tune-up kit are identified by part number. **Not all parts are required for all tools.** Please refer to appropriate parts page for additional identification and disassembly/assembly instructions.

### Index Key

No.	Part #	Description
1	01580	Felt Seal
2	02649	Bearing
3	54543	Shim - .001" (As Required)
4	54544	Shim - .002" (As Required)
5	54551	Shim - .003" (As Required)
6	01479	Spacer
7	01480	Vane Set (4/Pkg.)
8	02696	Bearing
9	96077	O-Ring
10	45278	Filter
11	45257	Bushing
	45315	Bushing
12	97045	Pin
13	97060	Pin
14	01464	Seal (2)
	45310	Seal
15	58365	Tip Valve
16	01468	Spring
17	95523	O-Ring
18	01548	Gasket
19	95711	Retaining Ring
20	01486	Felt Silencer (5)
21	96065	O-Ring
22	95620	Retaining Ring
23	95438	O-Ring
24	94524	Sintered Bronze Muffler
25	94525	Felt Muffler
	94528	Felt Muffler
26	95375	O-Ring
27	01728	Felt Silencer
		<i>For Right Angle, Front Exhaust Models</i>
28	43492	Felt Silencer (4)
		<i>For Straight-Line, Front Exhaust Models</i>



**DYNABRADE, INC.**

[www.dynabrade.com](http://www.dynabrade.com)

8989 Sheridan Drive • Clarence, NY 14031-1490 • Phone: (716) 631-0100 • Fax: 716-631-2073 • International Fax: 716-631-2524

©DYNABRADE, INC., 2015

