

96815 Tune-Up Kit

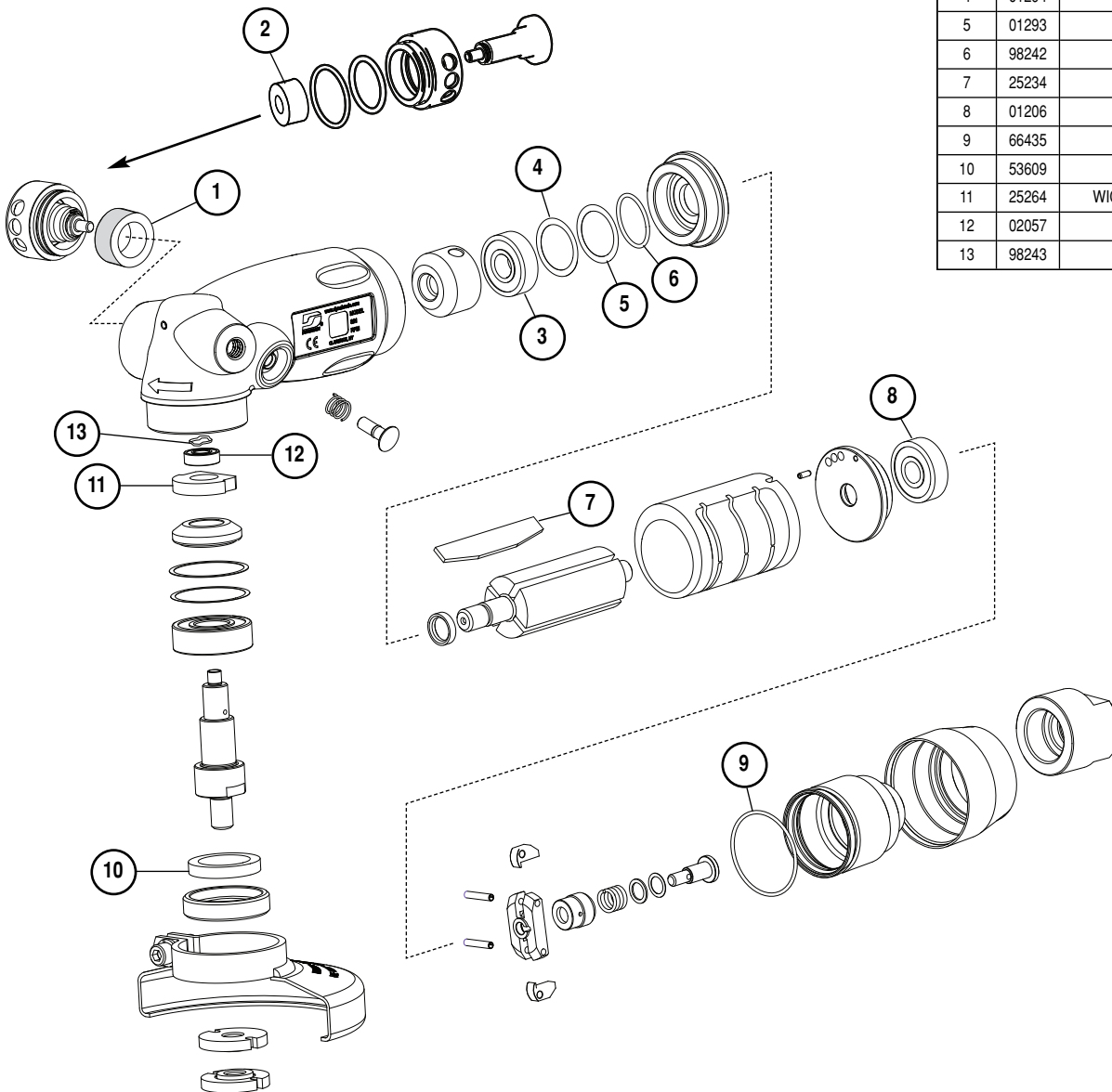
Air Motor and Machine Parts

For Use With:

Robotic 4", 4-1/2", 5" & 7" Right Angle Disc Grinders
Robotic 4", 4-1/2" & 5" Type 27 Right Angle Grinders
Robotic 4-1/2" & 5" Type 41 Cut-Off Grinders

Parts included in tune-up kit are identified by part number.

Please refer to appropriate parts page for additional identification and disassembly/assembly instructions.



ITEM	P/N	DESCRIPTION	QTY.
1	25283	EXHAUST PORT SILENCER	1
2	25282	SILENCER	1
3	01007	BEARING	1
4	01294	SHIM	AR
5	01293	SHIM	AR
6	98242	O-RING	1
7	25234	VANE (4/PKG.)	1
8	01206	BEARING	1
9	66435	O-RING	1
10	53609	FELT SEAL	1
11	25264	WICK - ANGLE GRINDER	1
12	02057	BEARING	1
13	98243	WAVE SPRING	1

AR - "As Required"