

# 8" 2-Hand Random Orbital Sander

10,000 RPM Air Motor and Machine Parts

**Models:**

- 58410 - 3/16" Orbit, Non-Vac
- 58411 - 3/16" Orbit, Vac-Ready
- 58414 - 3/16" Orbit, Central Vac

## ! WARNING

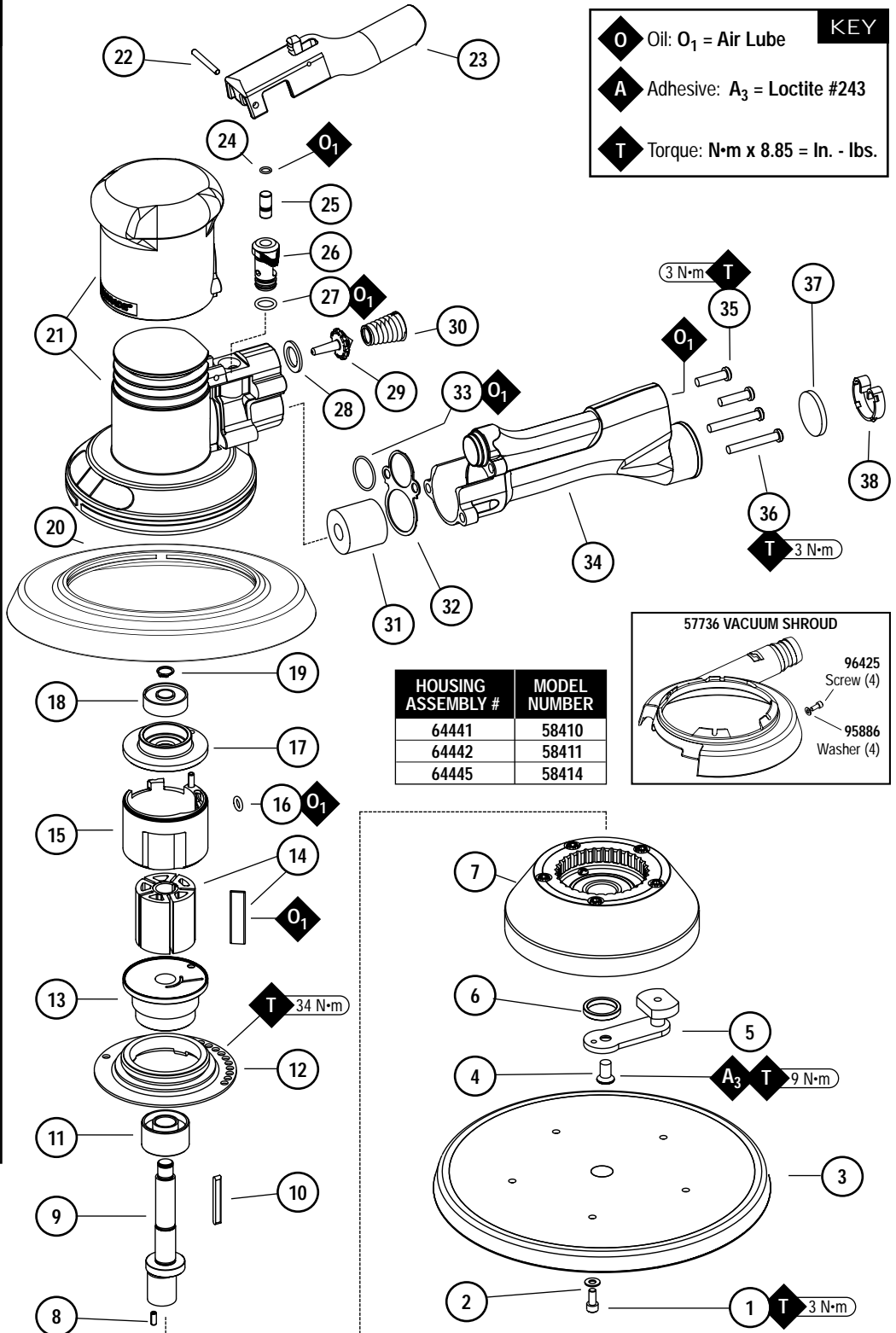
Always operate, inspect and maintain this tool in accordance with the Safety Code for portable air tools (ANSI B186.1) and any other applicable safety codes and regulations. Please refer to Dynabrade's Warning/Safety Operating Instructions for more complete safety information.

### Index Key

No.	Part #	Description
1	95178	Screw (5)
2	95886	Washer (5)
3	<b>Sanding Pad:</b>	
	56234	8" Non-Vacuum
	56235	8" Vacuum
4	96477	Screw
5	56478	8" Balance Arm Assy.
6	56474	Balance Washer
7	56470	Mount Plate Assembly
8	01673	Pin
9	56589	Shaft
10	54673	Key
11	56052	Bearing
12	57332	Lock Ring
13	56594	Front Bearing Plate
14	54705	Rotor/Blade Set (5/pkg.)
15	56595	Cylinder (Includes: 95865 Pin)
16	01020	O-Ring
17	54629	Rear Bearing Plate
18	01206	Bearing
19	95626	Retaining Ring
20	<b>Shroud:</b>	
	56489	8" Non-Vacuum
	57736	8" Vacuum Overskirt
21	<b>Housing:</b> See Chart (Includes: 56581 Housing Grip)	
22	95627	Pin
23	56582	Safety Throttle Lever
24	98459	O-Ring
25	56579	Valve Stem
26	56578	Speed Regulator
27	01025	O-Ring (3)
28	56598	Seal
29	51944	Tip Valve
30	51943	Spring
31	56586*	Vacuum Plug
32	56469	Exhaust Gasket
33	96459	O-Ring
34	56468	Handle Assembly (Includes: 51938 Inlet Screen)
35	96469	Screw (2)
36	96454	Screw (2)
37	56597*	Muffler
38	56596*	Muffler Clip

**\*Specific Components For Models:**

- 8" Non-Vacuum
- 8" Central Vacuum



# Important Operating, Maintenance and Safety Instructions

Carefully read all instructions before operating or servicing any Dynabrade® Abrasive Power Tool.

**Warning:** Hand, wrist and arm injury may result from repetitive work motion and overexposure to vibration.

**Important:** All Dynabrade Rotary Vane air tools must be used with a Filter-Regulator-Lubricator to maintain all warranties.

## Operating Instructions:

**Warning:** Eye, face, respiratory, sound and body protection must be worn while operating power tools. Failure to do so may result in serious injury or death. Follow safety procedures posted in workplace.

1. With power source disconnected from tool, securely fasten abrasive/accessory on tool.
2. Install air fitting into inlet bushing of tool. **Important:** Secure inlet bushing of tool with a wrench before attempting to install the air fitting to avoid damaging valve body housing.
3. Connect power source to tool. Be careful not to depress throttle lever in the process.
4. Air tools are not intended for use in explosive atmospheres and are not insulated for contact with electrical power sources. Sanding/Grinding certain materials can create explosive dust. It is the employers responsibility to notify the user of acceptable dust levels. Sanding/Grinding can cause sparks which can cause fires or explosions. It is the users responsibility to make sure the work area is free of flammable materials.

## Maintenance Instructions:

1. Check tool speed regularly with a tachometer. If tool is operating at a higher speed than the RPM marked on the tool, the tool should be serviced to correct the cause before use.
2. Some silencers on air tools may clog with use. Clean and replace as required.
3. All Dynabrade Rotary Vane air motors should be lubricated. Dynabrade recommends one drop of air lube per minute for each 20 SCFM (example: if the tool specifications state 40 SCFM, set the drip rate of your filter-lubricator at 2 drops per minute). Dynabrade Air Lube (P/N **95842**: 1 pt. 473 ml.) is recommended.
4. It is strongly recommended that all Dynabrade rotary vane air tools be used with a Filter-Regulator-Lubricator to minimize the possibility of misuse due to unclear air, wet air or insufficient lubrication. Dynabrade recommends the following: **11405** Air Line Filter-Regulator-Lubricator — Provides accurate air pressure regulation, two-stage filtration of water contaminants and micro-mist lubrication of pneumatic components. Operates 40 SCFM @ 100 PSIG has 3/8" NPT female ports.
5. Use only genuine Dynabrade replacement parts. To reorder replacement parts, specify the **Model #**, **Serial #**, and **RPM** of your machine.
6. A Motor Tune-Up Kit (P/N **98221**) is available which includes assorted parts to help maintain motor in peak operating condition. Please refer to Dynabrade's Preventative Maintenance Schedule for a guide to expectant life of component parts.
7. Mineral spirits are recommended when cleaning the tool and parts. Do not clean tool or parts with any solvents or oils containing acids, esters, ketones, chlorinated hydrocarbons or nitro carbons.
8. DO NOT clean or maintain air tools with chemicals that have a low flash point (example: WD-40®).

## Safety Instructions:

Products offered by Dynabrade should not be converted or otherwise altered from original design without expressed written consent from Dynabrade, Inc.



- **Important:** User of tool is responsible for following accepted safety codes such as those published by the American National Standards Institute (ANSI).
- Always disconnect power supply before changing abrasive/accessory or making machine adjustments.
- Inspect abrasives/accessories for damage or defects prior to installation on tools.
- Please refer to Dynabrade's Warning/Safety Operating Instructions Tag (Reorder No. **95903**) for more complete safety information.

## Notice

All Dynabrade motors use the highest quality parts and metals available and are machined to exacting tolerances. The failure of quality pneumatic motors can most often be traced to an unclear air supply or the lack of lubrication. Air pressure easily forces dirt or water contained in the air supply into motor bearings causing early failure. It often scores the cylinder walls and the rotor blades resulting in limited efficiency and power. Our warranty obligation is contingent upon proper use of our tools and cannot apply to equipment which has been subjected to misuse such as unclear air, wet air or a lack of lubrication during the use of this tool.

## Full One Year Warranty

Following the reasonable assumption that any inherent defect which might prevail in a product will become apparent to the user within one year from the date of purchase, all equipment of our manufacture is warranted against defects in workmanship and materials under normal use and service. We shall repair or replace at our factory, any equipment or part thereof which shall, within one year after delivery to the original purchaser, indicate upon our examination to have been defective. Our obligation is contingent upon proper use of Dynabrade tools in accordance with factory recommendations, instructions and safety practices. It shall not apply to equipment which has been subject to misuse, negligence, accident or tampering in any way so as to affect its normal performance. Normally wearable parts such as bearings, contact wheels, rotor blades, etc., are not covered under this warranty.

Model Number	Motor HP (W)	Motor RPM	Orbit Dia. Inch (mm)	Pad Dia. Inch (mm)	Sound Level	Maximum Air Flow CFM/SCFM (LPM)	Hose I.D. Size Inch (mm)	Air Inlet Thread	Weight Pound (kg)	Length Inch (mm)	Height Inch (mm)
58410	.45 (336)	10,000	3/16 (5)	8 (203)	81 dB(A)	3/23 (651)	1/4 (8)	1/4" NPT	4 (1.8)	12-1/2 (319)	5-5/8 (142)
58411	.45 (336)	10,000	3/16 (5)	8 (203)	85 dB(A)	3/23 (651)	1/4 (8)	1/4" NPT	4 (1.8)	12-1/2 (319)	5-5/8 (142)
58414	.45 (336)	10,000	3/16 (5)	8 (203)	85 dB(A)	3/23 (651)	1/4 (8)	1/4" NPT	4.2 (1.9)	12-1/2 (319)	5-5/8 (142)

Additional Specifications: Air Pressure 90 PSIG (6.2 Bar)

## Disassembly/Assembly Instructions

**Important:** The manufacturer's warranty is void if the tool is disassembled before the warranty expires. Use these instructions in conjunction with the Part Number 57325 Tool Repair Kit. This kit includes special tooling for the proper disassembly/assembly of the Two-Hand Eight Inch Orbital Sander. This Tooling will be referred to in these instructions. An air motor Tune-Up Kit, Part Number 98221 is also available. It contains the high and medium wear components that most commonly need replacement.

### Motor Disassembly:

1. Disconnect the sander from the air supply.
2. Use the 57092 Repair Collar to hold the sander in a vise. Position the sander so that the sanding pad is facing up. **Note:** Do not over tighten the collar and sander in the vise. Only hold the sander snugly, so that the motor lock ring can be removed easily.
3. Use a 9/64" hex key wrench to remove the screws and sanding pad from the sander.
4. Use a 5/32" hex key wrench to remove the balance arm assembly by turning the hex key counterclockwise.
5. Remove the 56474 Balance Washer and 56470 Mount Plate Assembly.
6. Use the 56599 Lock Ring Tool to remove the 57332 Lock Ring by turning it counterclockwise.
7. Pull the air motor assembly out of the housing.
8. Use retaining ring pliers to remove the 95626 Retaining Ring.
9. Remove the 01020 O-Ring from the 56595 Cylinder and fasten a 2" bearing separator around the part of the cylinder that is closest to the 54629 Rear Bearing Plate.
10. Place the air motor with the bearing separator attached, onto the table of the 96232, #2 Arbor Press so that the balance end of the 56589 Shaft is pointing down.
11. Use a 5/16" dia. flat end drive punch as a press tool to push the shaft out of the 01206 Bearing. Use the 96213 Bearing Removal Tool to push the 01206 Bearing out of the 54629 Rear Bearing Plate. **Note:** This bearing removal tool is not included in the 57325 Repair Kit.
12. Remove the cylinder, rotor, vanes, and key.
13. Use the arbor press to push 56052 bearing and the 56589 Shaft out of the 56594 Front Bearing Plate.
14. Use a 2" bearing separator and arbor press to remove the 56052 Bearing from the 56589 Shaft.

Motor Disassembly Complete.

### Motor Assembly:

**Important:** Clean and inspect all motor parts for wear or defect.

1. Orient the open side of the 56052 Bearing toward the balance end of the 56589 Shaft.
2. Use the small end of the 57091 Bearing Press Tool and the 96232, #2 Arbor Press to push the 56052 Bearing onto the shaft until it fits against the shaft step. (Drawing 1)
3. Use the large end of the 57091 Bearing press tool and the arbor press to install the front bearing plate onto the 56052 Bearing. (Drawing 2)
4. Install the 54673 Key so that the 90° side of the key fits into the keyway of the shaft and the tapered side of the key fits into the rotor. Install the 54705 Rotor/Blade Set (5) onto the shaft.
5. Apply the 95842 Dynabrade Air Lube (10W/NR or equivalent) to the blades.
6. Install the 56595 Cylinder over the rotor so that the short line-up pin fits into the front bearing plate.
7. Place the 54629 Rear Bearing Plate over the shaft so that the long line-up pin fits through the hole in the rear bearing plate. (Drawing 3) Use the small end of the 57091 Bearing Press Tool to install the 01206 Bearing onto the shaft and into the 54629 Rear Bearing Plate. Use the press tool and the arbor press to install these so that there is a snug fit between the bearing plates and the cylinder. **Note:** Carefully press the 01206 Bearing onto the shaft until it touches against the bearing seat on the inside of the bearing plate. (Drawing 4)
8. Use retaining ring pliers to install the 95626 Retaining Ring so that the concave side of the ring is toward the motor assembly. **Note:** Be sure that the retaining ring is completely pressed down into the groove on the shaft.
9. Use the 57092 Repair Collar to hold the housing in a vise so that the opening for the housing is facing up.  
**Note:** Do not over tighten the collar and housing in the vise. Only hold the housing snugly, so that the motor and lock ring can be installed easily.
10. Apply a small amount of petroleum lubricant to the 01020 O-Ring and install the o-ring into the air inlet hole in the cylinder.
11. Install the motor assembly into the housing making sure to align the line-up pin with the line-up hole that is on the inside of the housing.
12. Install the 57332 Lock Ring onto the 56594 Front Bearing Plate so that the thread portion of the lock ring sits against the bearing plate. Use the 56599 Lock Ring Tool to secure the motor in the housing. (Torque to 34 N-m/300 in. lbs.)
13. Install the appropriate shroud onto the housing.
14. Install the 56470 Mount Plate Assembly and the 56474 Balance Washer onto the 56589 Shaft. Apply a small amount of the Loctite #243 (or equivalent) to the threads of the 96477 Screw. Hold the balance arm assembly stationary with an adjustable wrench and use a 5/32" hex key to tighten the 96477 Screw by turning it clockwise. (Torque to 9N-m/80 in. lbs.)
15. Use a 9/64" hex key wrench to install a weight-mated sanding pad.

Motor Assembly Complete.

### Handle and Valve Disassembly:

1. Place the 57092 Repair Collar around the housing so that the handle is pointing up.
2. Use a Phillips screwdriver to remove the four screws that fasten the handle to the housing. Carefully pull the handle from the housing. This provides access to the tip valve components, also the handle o-ring, gasket and vacuum plug.
3. Use a 1/8" dia. flat end drive punch to remove the 95627 Pin and the 56582 Safety Throttle Lever.
4. Pull the 56578 Speed Regulator and valve stem out of the housing.

Handle and Valve Disassembly Complete.

### Handle and Valve Assembly:

1. Place the 57092 Repair Collar around the housing so that the handle mounting area is facing up.
2. Install the 01025 O-Rings (3) onto the 56578 Speed Regulator, apply a small amount of petroleum lubricant to the o-rings and insert the regulator assembly into the housing. **Note:** Be careful that the o-rings do not get caught and pulled out of the o-ring grooves.
3. Install the 98459 O-Ring onto the 56579 Valve Stem, apply a small amount of petroleum lubricant to the o-ring and insert the shortest portion (from the end to the o-ring) of the valve stem assembly into the speed regulator.
4. Install the 56582 Safety Throttle Lever onto the housing and secure it in place with the 95627 Pin.
5. Install the 56598 Seal into the air inlet passage of the housing.

(continued on next page)

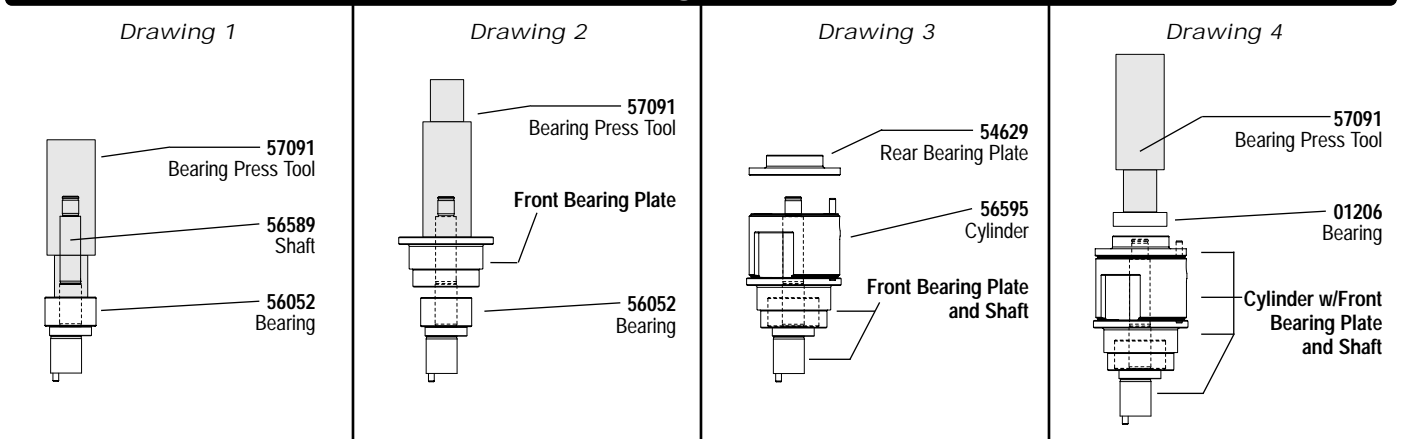
6. Install the **56586** Vacuum Plug into the exhaust passage of the housing. (See Exploded View)
7. Use needle-nose pliers to grasp and install the **51944** Tip Valve so that it fits under the **56579** Valve Stem.
8. Install the large end of the **51943** Spring into the air inlet passage of the handle.
9. Install the **56469** Gasket onto the mounting surface of the handle.
10. Install the **96459** O-Ring onto outside diameter of the air inlet passage at the location of the first shoulder and apply a small amount of petroleum lubricant to the o-ring.
11. Connect the handle to the housing and secure it in place with the four screws.  
**Note:** The two longer screws, Part Number **96454** (2), also secure the **56581** Grip to the housing.
12. Install the **56597** Muffler and secure it in place with the **56596** Muffler Clip. (See Exploded View)

**Handle and Valve Assembly Complete. Tool Assembly Complete. Please allow 30 minutes for adhesives to cure before operating tool.**

**Important:** Motor should now be tested for proper operation at 90 PSIG. If motor does not operate properly or operates at a higher RPM than marked on the tool, the tool should be serviced to correct the cause before use. Before operating, place 2-3 drops of Dynabrade Air Lube (P/N **95842**) directly into air inlet with throttle lever depressed. Operate tool for 30 seconds to determine if tool is operating properly and to allow lubricating oils to properly penetrate motor

Loctite® is a registered trademark of Loctite Corp.

## Diagrams



## Optional Accessories



### 98221 Motor Tune-Up Kit

- Includes assorted parts to help maintain and repair motor.



### 96232 (#2) Arbor Press

- This arbor press is ideal for the disassembly and assembly of air motors.



### 96346 2" Bearing Separator

- Use the separator to remove gears and bearings.



- 95134** – 9/64" Hex Wrench  
**95135** – 5/32" Hex Wrench



### 96343 Retaining Ring Pliers

- Internal/external retaining ring pliers.  
 Tip diameter - 0.038" (0.96mm)



### Dynabrade Air Lube

- Formulated for pneumatic equipment.
- Absorbs up to 10% of its weight in water.
- Prevents rust and formation of sludge.
- Keeps pneumatic tools operating longer with greater power and less down time.

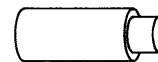
**95842:** 1pt. (473 ml)

**95843:** 1gal. (3.8 L)



### 57325 Motor Repair Kit:

- Contains special tools for disassembly/assembly of machine.



### 96213 Bearing Removal Tool

- This tool is used to pass through the I.D. of the bearing plate and to push against the I.D. of the bearing.

Visit Our Web Site: [www.dynabrade.com](http://www.dynabrade.com)

Email: [Customer.Service@Dynabrade.com](mailto:Customer.Service@Dynabrade.com)



**DYNABRADE, INC.**, 8989 Sheridan Drive • Clarence, NY 14031-1490 • Phone: (716) 631-0100 • Fax: 716-631-2073 • International Fax: 716-631-2524  
**DYNABRADE EUROPE S.à.r.l.**, Zone Artisanale • L-5485 Wormeldange—Haut, Luxembourg • Telephone: 352 76 84 94 1 • Fax: 352 76 84 95 1

©DYNABRADE, INC., 2004

PRINTED IN USA