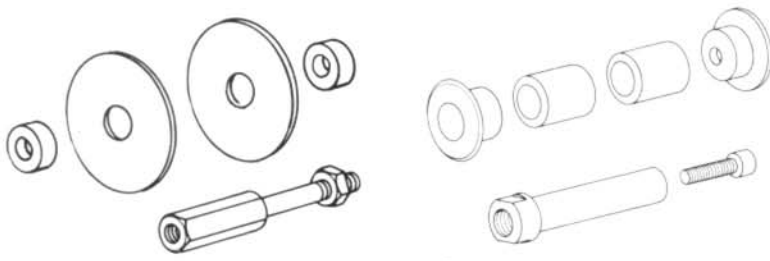


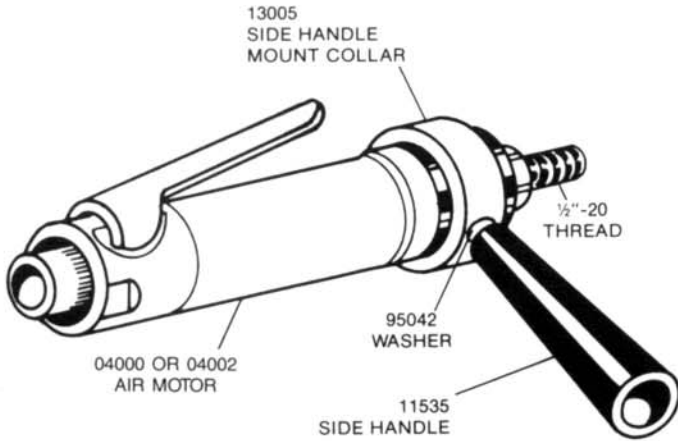
Dynastraight®

MACHINE AND AIR MOTOR PARTS

EFFECTIVE MARCH, 1989



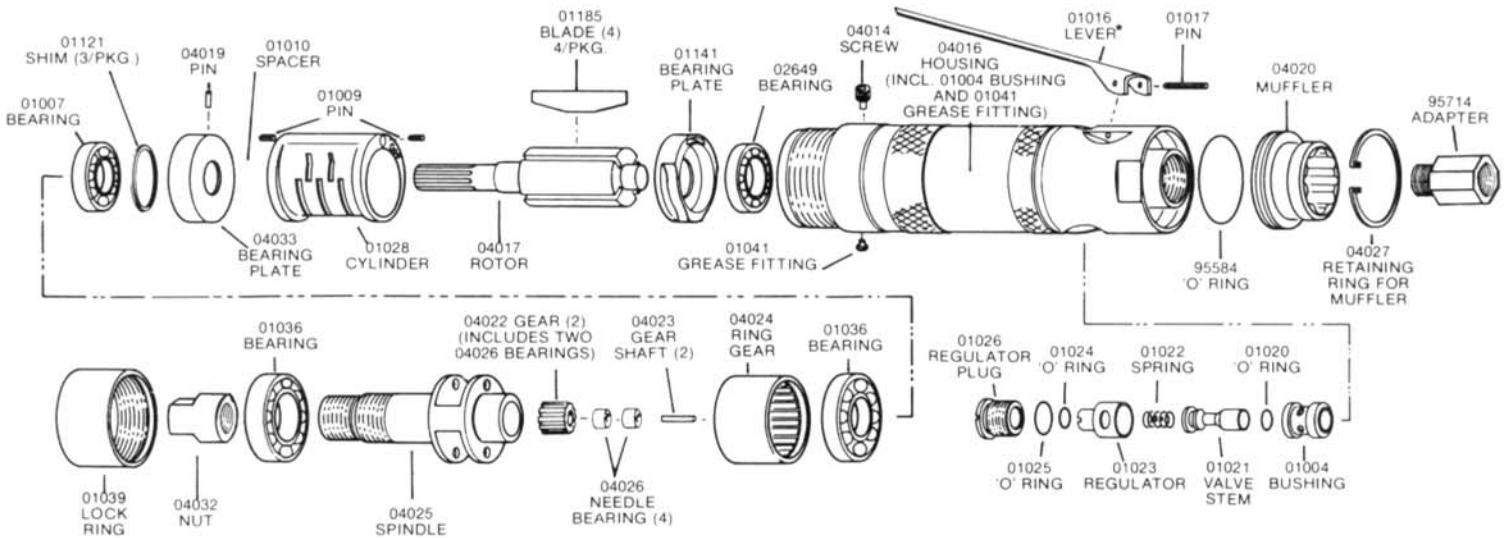
SEE FOLLOWING PAGES
FOR WHEEL ARBOR
ASSEMBLIES, PARTS
AND MOUNTING ACCESSORIES



MODELS:

- 13024 — (0-4,500 RPM) includes 13016 1/2" dia. arbor.
- 13025 — (0-3,400 RPM) includes 13016 1/2" dia. arbor.
- 13026 — (0-3,400 RPM) includes 13017 5/8" dia. arbor.
- 13027 — (0-3,400 RPM) includes 13014 14mm arbor.
- 13028 — (0-3,400 RPM) includes 13015 5/8"-11 thread arbor for optional 94472 pneumatic wheel.
- 13029 — (0-4,500 RPM) includes 1", 2", 3" combination arbor.
- 13030 — (0-3,400 RPM) includes 1", 2", 3" combination arbor.

(0-3,400 RPM) DYNASTRAIGHT® AIR MOTOR - 04000
STANDARD MOTOR ON MODELS 13025, 13026, 13027, 13028 AND 13030.

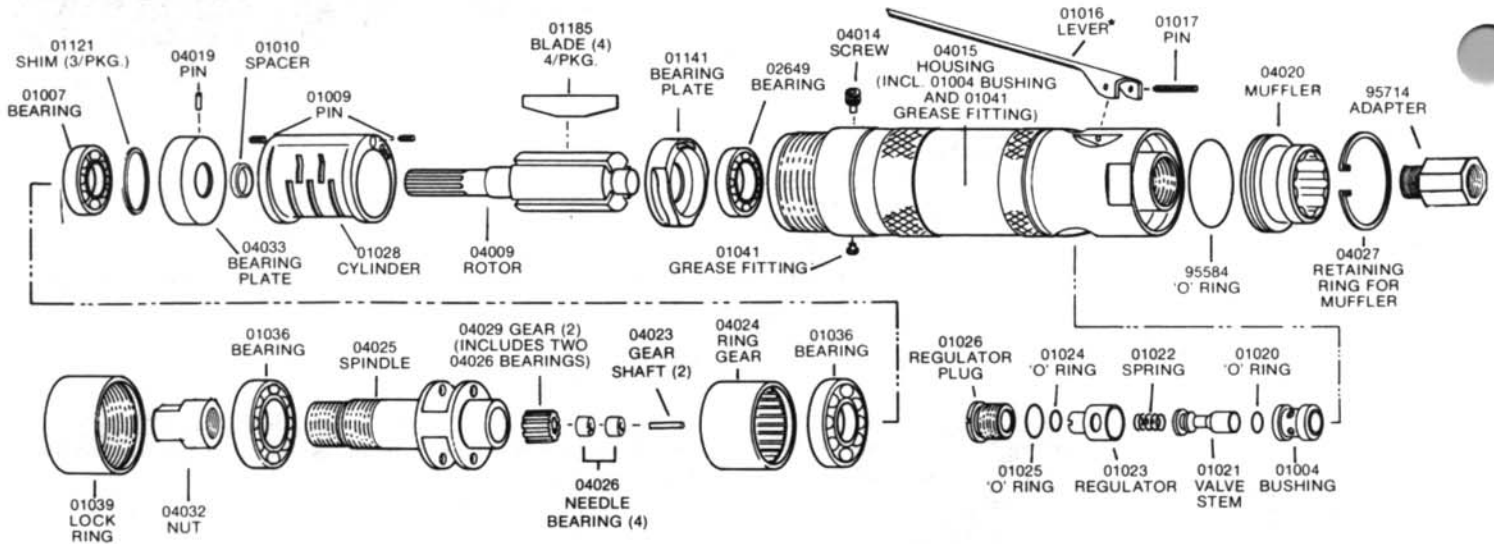


IMPORTANT: ALL DYNABRADE AIR TOOLS MUST BE USED WITH A FILTER-REGULATOR-LUBRICATOR (DYNABRADE PART NO. 11299) TO MAINTAIN ALL WARRANTIES. GEAR CASE OF THIS DYNABRADE AIR TOOL SHOULD BE LUBRICATED EVERY 50 HOURS BY USING DYNABRADE PART NO. 95541 GREASE GUN AND 95542 GREASE.

*01089 SAFETY LOCK LEVER ASSEMBLY AVAILABLE ON ALL MODELS.

NOTE: WHEN REASSEMBLING MOTORS ADD A DROP OF LOCTITE® 271 OR EQUIVALENT TO THREADS OF MOTOR HOUSING. Loctite is a registered trademark of Loctite Corporation.

(0-4,500 RPM) DYNASTRAIGHT® AIR MOTOR - 04002
STANDARD MOTOR ON MODEL 13024 AND 13029.

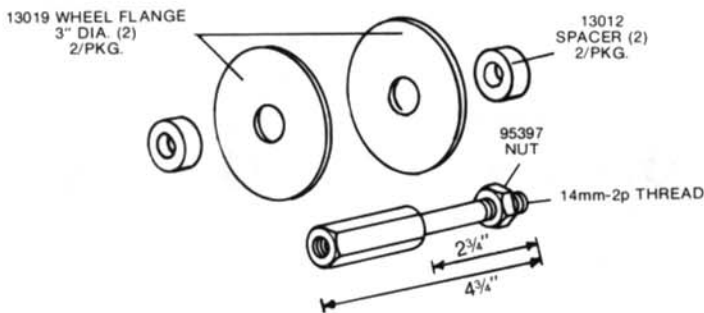


IMPORTANT: ALL DYNABRADE AIR TOOLS MUST BE USED WITH A FILTER-REGULATOR-LUBRICATOR (DYNABRADE PART NO. 11299) TO MAINTAIN ALL WARRANTIES. GEAR CASE OF THIS DYNABRADE AIR TOOL SHOULD BE LUBRICATED EVERY 50 HOURS BY USING DYNABRADE PART NO. 95541 GREASE GUN AND 95542 GREASE.

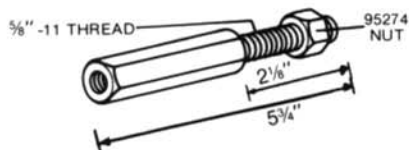
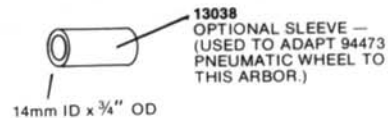
*01089 SAFETY LOCK LEVER ASSEMBLY AVAILABLE ON ALL MODELS.

NOTE: WHEN REASSEMBLING MOTORS ADD A DROP OF LOCTITE® 271 OR EQUIVALENT TO THREADS OF MOTOR HOUSING. Loctite is a registered trademark of Loctite Corporation.

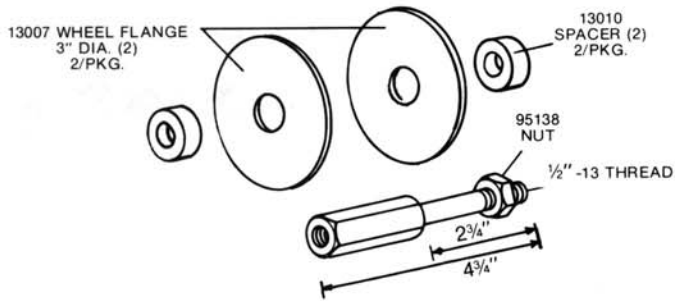
INTERCHANGEABLE WHEEL ARBOR ASSEMBLIES



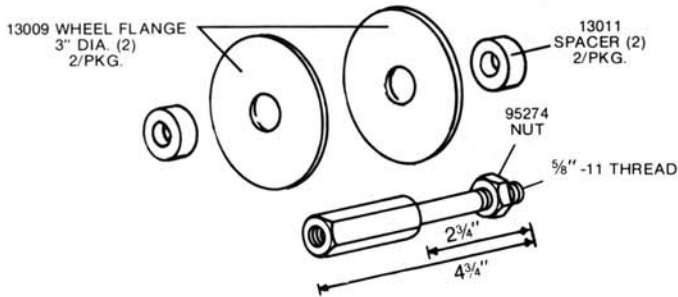
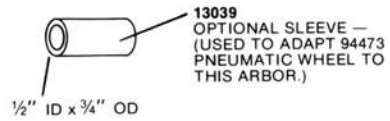
13014 - 14mm DIA. —
STANDARD WHEEL ARBOR ASSEMBLY ON MODEL 13027 DYNASTRAIGHT.®



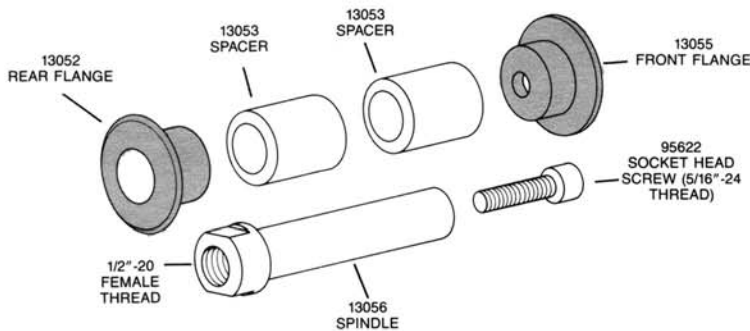
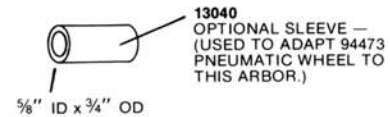
13015 - 5/8"-11 THREAD — FOR MOUNTING 94472 5" DIA. x 3 1/2" WIDE PNEUMATIC WHEEL. STANDARD WHEEL ARBOR ASSEMBLY ON MODEL 13028 DYNASTRAIGHT.®



13016 - 1/2" DIA. —
STANDARD WHEEL ARBOR
ASSEMBLY ON MODEL 13024
AND 13025 DYNASTRAIGHT.®

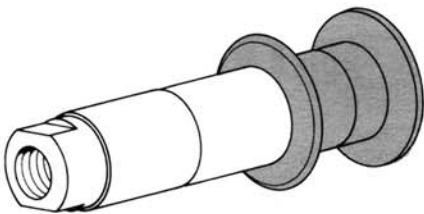


13017 - 5/8" DIA. —
STANDARD WHEEL ARBOR
ASSEMBLY ON MODEL 13026
DYNASTRAIGHT.®

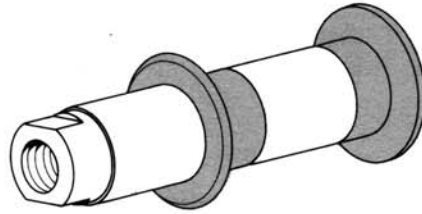


13058 - 1" DIA. —
ACCEPTS 1", 2" OR 3" WHEELS.
STANDARD WHEEL ARBOR
ASSEMBLY ON MODEL 13029
AND 13030 DYNASTRAIGHT.®
(FLANGES SHADED FOR CLARITY)

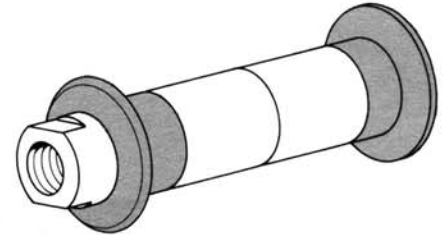
SPACER MOUNTING ARRANGEMENTS FOR ABOVE 13058 1" DIA. ARBOR



MOUNTING ARRANGEMENTS
FOR 1" WIDE ABRASIVES.



MOUNTING ARRANGEMENTS
FOR 2" WIDE ABRASIVES.



MOUNTING ARRANGEMENTS
FOR 3" WIDE ABRASIVES.

MOUNTING ACCESSORIES

ABRASIVE BELTS FOR DYNACUSHION® ALUMINUM OXIDE/UNIT = 50 BELTS

Grit	2 3/4"W x 15 1/2"L Part Numbers	3"W x 10 11/16"L Part Numbers	3 1/2"W x 15 1/2"L Part Numbers
36	90016	90232	90271
60	90017	90233	90272
80	90018	90234	90273
100	90019	90235	90274
120	90020	90236	90275

CERAMIC COATED ALUMINUM OXIDE/UNIT = 50 BELTS

Grit	2 3/4"W x 15 1/2"L Part Numbers	3"W x 10 11/16"L Part Numbers	3 1/2"W x 15 1/2"L Part Numbers
80	90356	90361	90365

NON-WOVEN NYLON/UNIT = 10 BELTS

Grit	2 3/4"W x 15 1/2"L Part Numbers	3"W x 10 11/16"L Part Numbers	3 1/2"W x 15 1/2"L Part Numbers
Super Fine	90013	—	90014
Very Fine	90021	90237	90281
Medium	90022	90238	90282
Coarse	90023	90239	90283

DYNACUSHION® PNEUMATIC WHEELS/UNIT = 10 WHEELS

Part No.	Wheel Dimensions	Belt Size	Arbor Hole	Max. RPM
94472*	5"D x 3 1/2"W	3 1/2"W x 15 1/2"L	5/8"-11 Thread	3,500
94473*	5"D x 3 1/2"W	3 1/2"W x 15 1/2"L	3/4" Bore	3,500
94492*	5"D x 2 3/4"W	2 3/4"W x 15 1/2"L	5/8"-11 Thread	3,500
94508	3 1/4"D x 3"W	3"W x 10 11/16"L	5/8"-11 Thread	7,000

*NOT FOR USE ON 13024 DYNASTRAIGHT.®

NOTE: DYNACUSHION® WITH 1/2" ARBOR HOLES ALSO AVAILABLE. 94465 WHEEL INFLATION TOOL ALSO AVAILABLE.

NON-WOVEN NYLON DISCS 5" DIA. x 1/2"W x 1/2"/UNIT = 20 DISCS

Grit	Part Number
Coarse	90883

6" DIA. x 1/2"W x 1/2"/UNIT = 20 DISCS	
Grit	Part Number
Coarse	90886

AVAILABLE WHEEL GUARDS

13032 — for wheels up to 8"D x 2"W.

13033 — for pneumatic wheels up to 5" diameter.



ABRASIVE POWER TOOLS

DYNABRADE, INC.

72 EAST NIAGARA STREET, TONAWANDA, NEW YORK 14150, 716-694-4600/TELEX 646540/FAX 716-694-4746